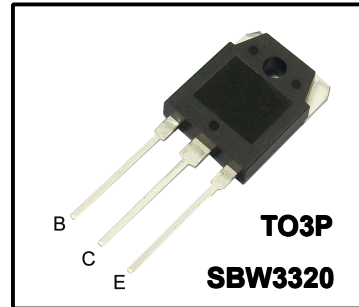


High Voltage Fast-Switching NPN Power Transistor

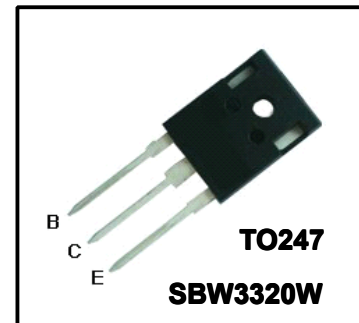
Features

- ◆ Very High Switching Speed
- ◆ High Voltage Capability
- ◆ Wide Reverse Bias SOA



General Description

This Device is designed for high voltage, High speed switching characteristics required such as lighting system, switching mode power supply.



Absolute Maximum Ratings

Symbol	Parameter	Test Conditions	Value	Units
V_{CES}	Collector-Emitter Voltage	$V_{BE} = 0$	500	V
V_{CEO}	Collector-Emitter Voltage	$I_B = 0$	400	V
V_{EBO}	Emitter-Base Voltage	$I_C = 0$	7.0	V
I_C	Collector Current		15	A
I_{CP}	Collector pulse Current		30	A
I_B	Base Current		5.0	A
I_{BM}	Base Peak Current	$t_p = 5ms$	10	A
P_C	Total Dissipation at $T_c = 25^\circ C$		80	W
T_J	Operation Junction Temperature		150	$^\circ C$
T_{STG}	Storage Temperature		-65 ~ 150	$^\circ C$

Thermal Characteristics

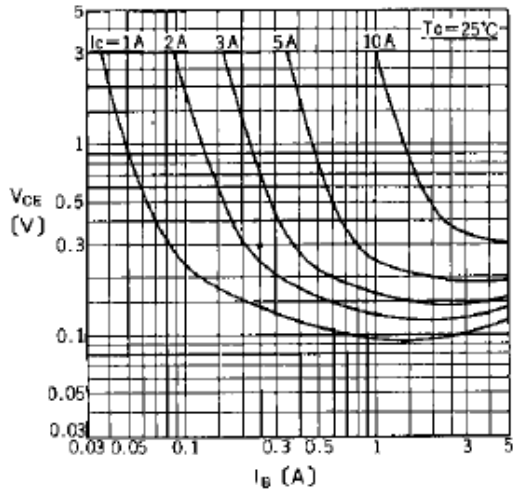
Symbol	Parameter	Value	Units
$R_{\theta Jc}$	Thermal Resistance Junction to Case	1.56	$^\circ C/W$
$R_{\theta JA}$	Thermal Resistance Junction to Ambient	62.5	$^\circ C/W$

Electrical Characteristics ($T_c=25^\circ\text{C}$ unless otherwise noted)

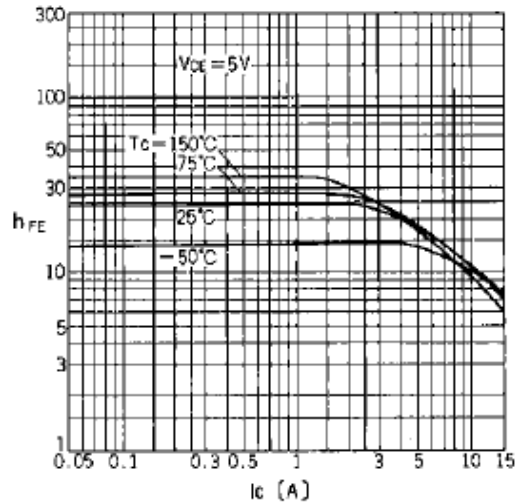
Symbol	Parameter	Test Conditions	Value			Units
			Min	Typ	Max	
$V_{CEQ(sus)}$	Collector-Emitter Breakdown Voltage	$I_c=10\text{mA}, I_b=0$	400	-	-	V
$V_{CE(sat)}$	Collector-Emitter Saturation Voltage	$I_c=6.0\text{A}, I_b=1.2\text{A}$	-	-	1.0	V
		$I_c=8.0\text{A}, I_b=1.6\text{A}$ $T_c=100^\circ\text{C}$	-	-	2.0	V
$V_{BE(sat)}$	Base-Emitter Saturation Voltage	$I_c=6.0\text{A}, I_b=1.2\text{A}$	-	-	1.2	V
		$I_c=8.0\text{A}, I_b=1.6\text{A}$ $T_c=100^\circ\text{C}$	-	-	1.5	V
I_{EBO}	Emitter-Base Cutoff Current	$V_{eb}=7\text{V}, I_c=0\text{V}$	-	-	1	mA
I_{cBO}	Collector-Base Cutoff Current	$V_{cb}=500\text{V}, I_c=0\text{V}$	-	-	1	mA
h_{FE}	DC Current Gain	$V_{ce}=5\text{V}, I_c=5.0\text{A}$	10	-	40	
		$V_{ce}=5\text{V}, I_c=8.0\text{A}$	6	-	30	
t_s	Storage Time	$V_{cc}=5.0\text{V}, I_c=0.5\text{A}$ (UI9600)	4	-	6	μs
t_f	Fall Time					
f_T	Current Gain Band with Prouct	$V_{ce}=10\text{V}, I_c=0.5\text{A}$	4			MHz

Note:

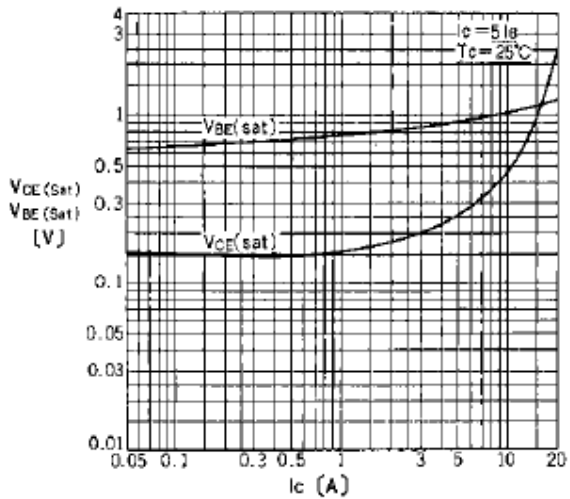
Pulse Test : Pulse width 300, Duty cycle 2%



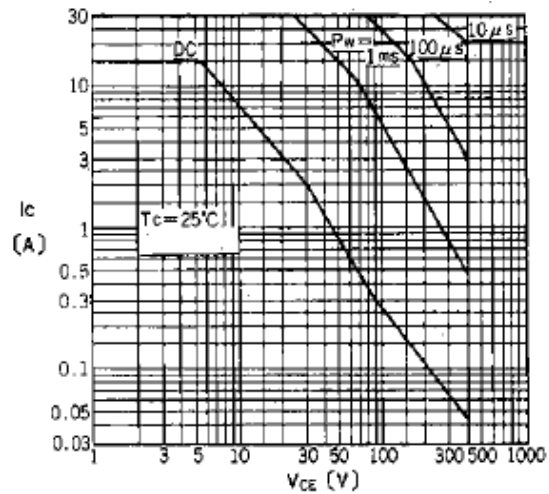
Collector Output Characteristics



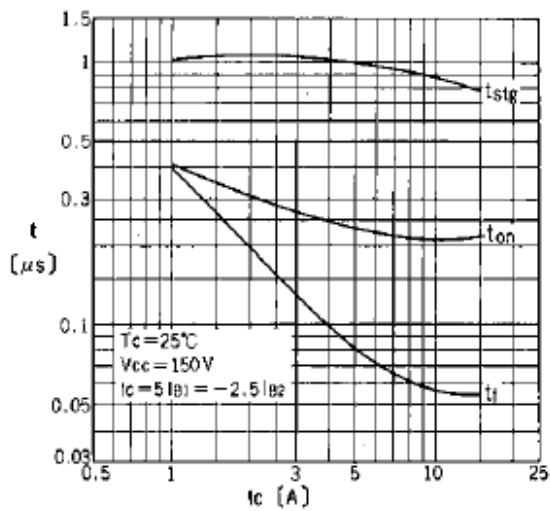
DC Current Gain



Base and Collector Saturation Voltage

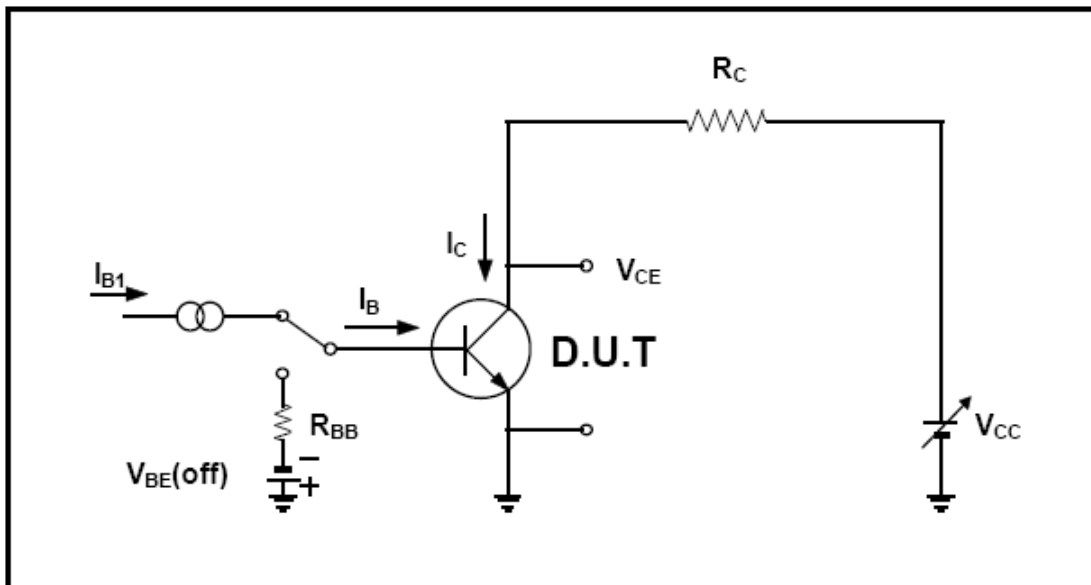


Safe Operating Area

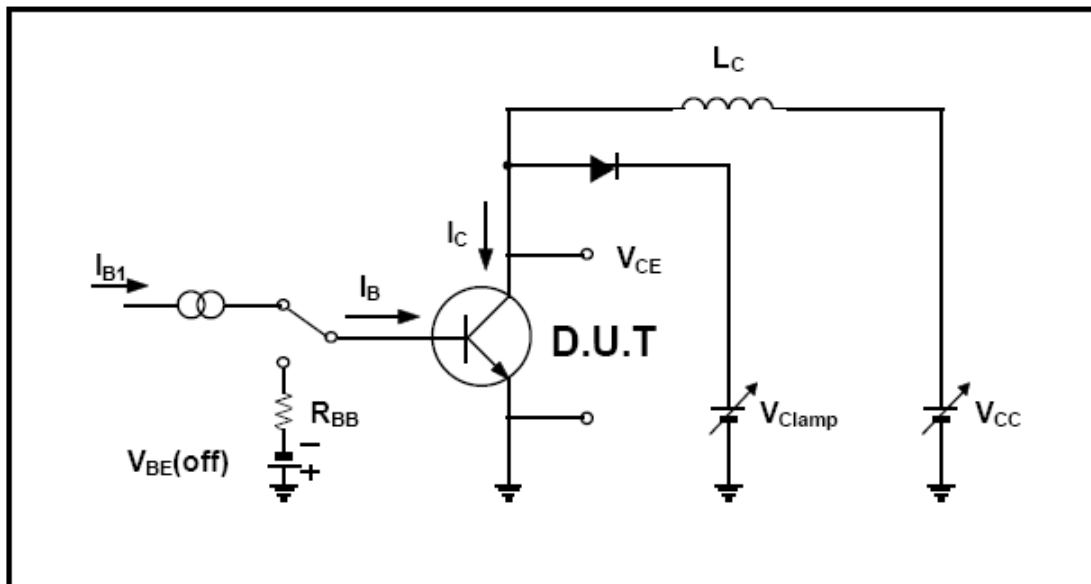


Switching Time

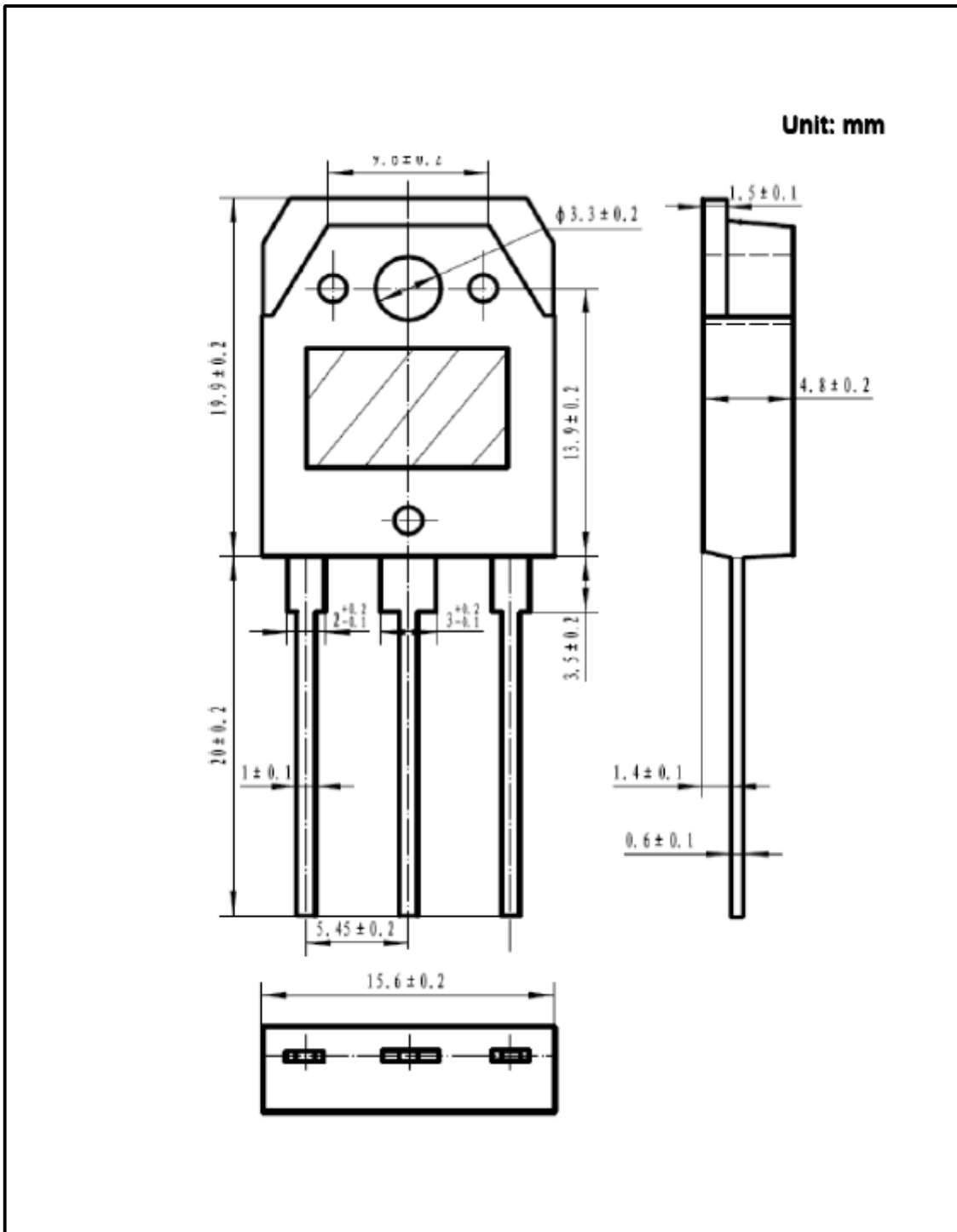
Resistive Load Switching Test Circuit



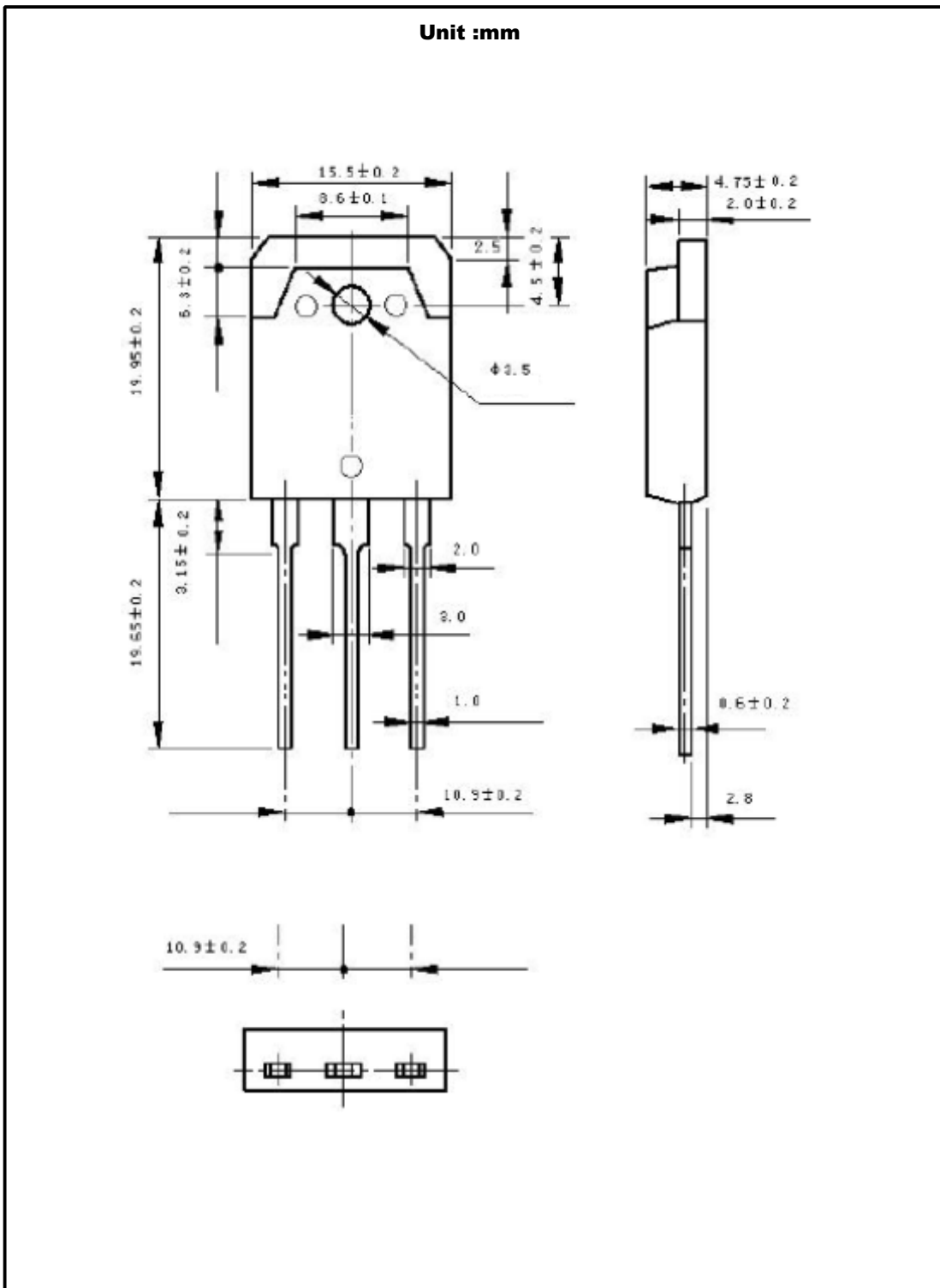
Inductive Load Switching & RBSOA Test Circuit



TO3P(B) Package Dimension



TO3P(N) Package Dimension



TO247 Package Dimension

